

Congratulations on your purchase of the **COVER•UP!** cover lifter.

We at Coverplay Inc. are sure you will get years of trouble-free use from your new **COVER•UP!**. A number of U.S. patented engineering features make this product the safest and easiest cover lifter available. Please take the time to read the instructions before assembling the **COVER•UP!**, as this should make the task much easier.

Thank You!

Tools Needed:

- * Power drill/driver with a #2 Phillips head *1/8" drill bit, 5/32" drill bit
- * Measuring Tape
- * Pencil

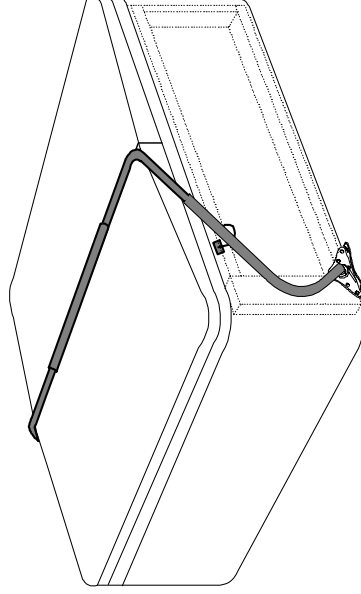
Check to be sure that you have each component listed here:

Parts List:

- 2 --- Horizontal Bars
- 1 --- Spreader Bar
- 2 --- Pending Arms w/Brackets attached
- 2 --- Safety Cables with attached Swivel Post Brackets
- 1 --- Bag of screws containing 20 long wood screws and 12 self-tapping screws, 2 machine screws (extra screws provided).

Please read the following instructions to familiarize yourself with the components *before* assembling your **COVER•UP!**.

- 1) Begin by centering the **Spa Cover** on the spa.
- 2) Select the right and left **PENDING ARMS** and check each **VersaMount™** bracket to assure free rotation. *(These will need to be lubricated periodically).* Position these brackets on opposing sides of the spa cabinet on the end of the spa from which the cover will be suspended, **approximately 7"** from the true corner. Decide whether you want to use the cabinet mount or deck mount, then mark the bracket holes for appropriate attachment, making sure they are equidistant from each corner. **Pre-drill** pilot holes with the 1/8" drill bit to prevent cracking, and attach the brackets with the 6 long screws to the cabinet, or the deck, with just 4 of these screws. If frame wood is unavailable for the cabinet application, a block of wood behind the cabinet skirt for stability works well.
- 3) Loop one **SAFETY CABLE** over each of the installed **PENDING ARMS**.
- 4) Remove the **HORIZONTAL BARS** from the box and



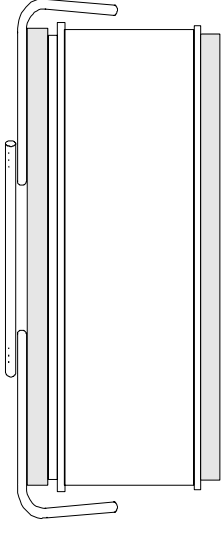
Cut along line and mail



Owners Name: _____ Date / /
 Address: _____
 City: _____ State: _____ Zip: _____
 Phone: (____) _____ Purchase Price: _____
 Dealer Name: _____ Phone: (____) _____
 How did you hear about the **COVER•UP!**?

- Dealer
- Friend
- Magazine
- Trade Show
- Spa Show
- Other

place the longer ends on the spa cover at the fold, with the short ends suspended. Adjust the distance to be slightly wider than the spa cover



- and cabinet, then center the **SPREADER BAR** over the long ends.
- 5) Slide the **HORIZONTAL BAR ASSEMBLY** into the Pending Arms and adjust the distance to be just **at the fold** of the cover.
- 6) Check to be sure the Spreader Bar is **centered** then **rotate it** to position the holes parallel to the spa cover, facing the end designated for cover storage. Using a drill/driver, pre-drill 5/32" **pilot holes** to install the self-tapping screws. (In this position, the screws won't chafe the cover.)
- 7) Maintaining the measured distances, secure the Pending Arms to the Horizontal Bar Assembly with a drill/driver and the self-tapping screws provided. Again, 5/32" pilot holes make this task much easier.
- 8) Fold the spa cover over the **HORIZONTAL ASSEMBLY** and carefully suspend it in its desired resting position, just behind the cabinet. While maintaining the cover in this position, *(an assistant is helpful here)*, fully extend the **SAFETY CABLES** to the upper frame of the cabinet, and mark the position of the holes to be drilled. When fully extended, the Safety Cables would be parallel to the floor and not interfere with the smooth transition of covering or uncovering the spa.
- 9) Rest the cover on the spa, *(it's easier to install the brackets)*, and pre-drill 1/8th" pilot holes to prevent cabinet cracking, then install with the short wood screws provided. *(Over tightening these screws can reduce the free movement of the swivel post, for which it is designed.)*

Notes:

Your **COVER•UP!** cover lift offers adjustable positioning of the stored cover. Locating the VersaMount™ brackets toward the center of the spa cabinet will store the cover lower...closer to the corner of the cabinet will elevate the cover for more privacy.

If your **COVER•UP!** is equipped with “Halo” torsion springs and you want the spring to assist in both directions, install the SET SCREW w/washer for the spring return **after** installation is completed and the cover is in the stored upright position.

The **COVER•UP!** cover lifter is designed to be used with most spas and spa covers manufactured today. If you have a question regarding your application, please contact your **COVER-UP!** dealer or distributor.

COVER•UP! is not designed for damaged or water permeated covers.

Experienced installers find it simple to attach the PENDING ARMS to the cabinet first, then fully assemble the system into its respective position, allowing for some space on each side of the spa, then carefully stabilizing each section with one tapping screw, then positioning the lifter so as to gain easier access to install the remaining screws.

- Remember, to position the safety cables on the **pending arms** before installing the screws.
- The screws in the Spreader Bar must be installed **parallel to the cover** to avoid cover abrasion.
- **Lubricate the axis of rotation at the bracket/elbow periodically for factory new performance, keeping your COVER-UP! system working smoothly and your warranty in force.**

Your **COVER•UP!** system
is now ready to use.

COVER•UP!™ Lifetime Limited Warranty

A COVER•UP! cover lift or component thereof, found by the manufacturer to be unserviceable due to defects in workmanship or materials will be repaired or replaced at the option of Coverplay, Inc. without charge for materials or labor, to the original owner for as long as the spa shall remain in this registered owners' possession. **Freight not included, non-transferable.**

Exceptions:

- Defects in or due to a component or part which was not designed by Coverplay Inc, nor intended to be a component of the COVER•UP! cover lifter.
- Failure to provide reasonable and necessary care, maintenance, or lubrication.
- Misuse, abuse, negligence, accident, natural event, or any unauthorized alteration.
- Natural wear of the components due to the prescribed and intended use, and any expected environmental factors.
- Damage by water permeated covers

Neither Coverplay, Inc. nor any of its representatives will be responsible for any consequential damage or incidental expenses resulting from any breach of this warranty. This warranty gives you specific rights and you may have additional rights which vary from state to state.

Except as herein provided, there shall be no additional warranty obligations expressed either orally, or implied.

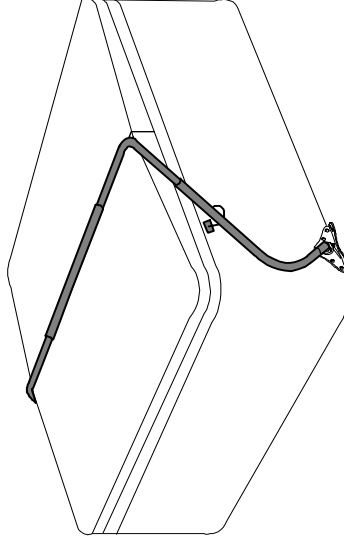
To validate, fill out the warranty card
and send it to:

Coverplay, Inc.
3100 Merriman Road
Medford, OR 97501

Copyright © 2004 - Coverplay, Inc.
All rights reserved.



Easy Installation



U.S. Patent Nos. 5,974,599 - 6,158,063
Copyright © 2004 - Coverplay, Inc.